

CABLES(NOT SHOWN)

PARTNo.	DESCRIPTION	QTY.	NOTE
50-4207	Spindle motor power cable	1	
50-4208	Rotary sensor cable	1	
50-4212	AC Power Cord NEMA 5-15	1	
50-4213	Connect 50-2154,50-2155 and 50-2158.	1	
50-4214	Feed motor and Clutch cable	1	
50-4218	Gooseneck LED power cable(Outside the E-box)	1	
50-4220	Dedicated ground cable	1	

LEGEND:

- * Not available for Sale
- † Assembly Dia. Available
- ± Part of Larger Assembly
- ⌘ Comes with Hardware
- ‡ Not Shown
- @ Special Order

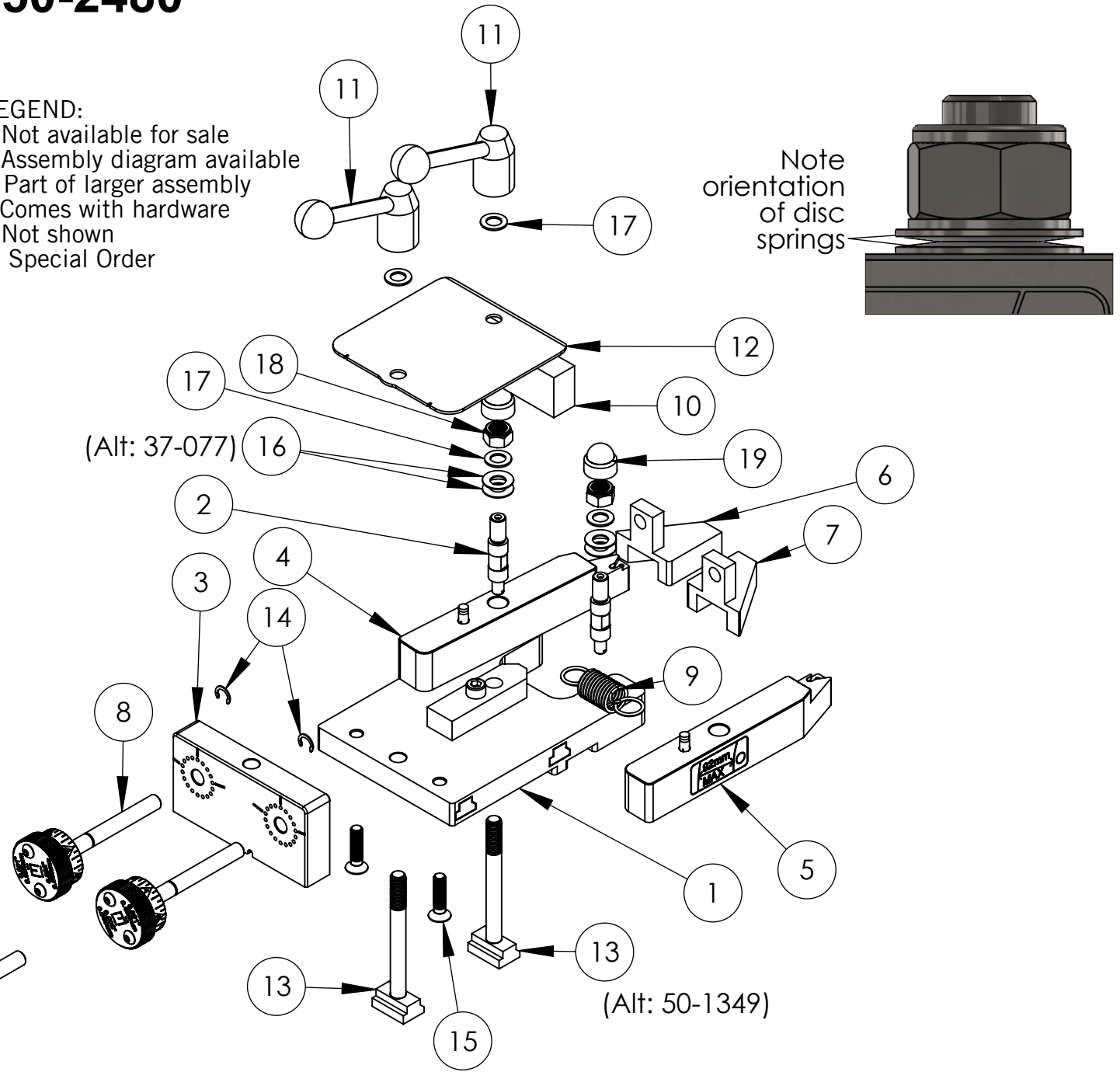
ITEM NO.	PART No.	Mk 2.1/QTY.	NOTE
1	50-4276	1	*
2	50-4025	1	
3	36-4020	1	
4	50-4009	1	
5	50-4059	1	
6	37-4031	1	
7	50-4277	1	*†
8	50-4054	1	*
9	50-4275	1	*†
10	50-4345	2	*†
11	50-4099	2	*
12	50-4096	2	†
13	50-4063	1	*†
14	50-1330	1	*†
15	50-4279	1	†
16	50-4360	1	†
17	50-4079	4	
18	50-4170	1	†
19	37-4046	1	
20	50-4274	1	*†
21	50-4142	1	*
22	50-4190	1	
23	35-4004	4	
24	37-4063	3	
25	35-4060	3	
26	35-339	4	
27	35-4006	1	
28	36-4005	1	
29	35-4002	4	
30	35-4003	3	
31	35-4027	4	
32	35-4030	4	
33	35-4031	3	
34	35-4058	4	
35	37-4047.1	1	

50-2480

ITEM NO.	PART NUMBER	QTY.	NOTE
1	50-2331	1	
2	50-2333	2	
3	50-1332	1	
4	50-1333	1	
5	50-1334	1	
6	50-1335	1	
7	50-1336	1	
8	50-1339	2	
9	37-1335	1	
10	50-252	1	
11	37-1331	2	
12	50-1343	1	
13	50-2339	2	
14	37-1332	2	
15	35-1332	2	
16	37-1308	4	
17	37-114	4	
18	36-002	2	
19	36-010	2	

LEGEND:

- * Not available for sale
- † Assembly diagram available
- ± Part of larger assembly
- ¿ Comes with hardware
- ‡ Not shown
- @ Special Order



ITEM No.	PART No.	QTY.	NOTE
1	50-1331	1	*
2	37-1333	2	
3	50-1332	1	
4	50-1333	1	
5	50-1334	1	
6	50-1335	1	
7	50-1336	1	
8	50-1339	2	
9	37-1335	1	
10	50-252	1	
11	37-1331	2	
12	50-1343	1	
13	35-1331	2	*
14	35-1335	1	*
15	50-2338	1	*
16	37-1332	2	
17	35-1332	2	
18	35-1330	2	
19	37-1330	2	
20	37-114	2	

Replaced by 50-2331

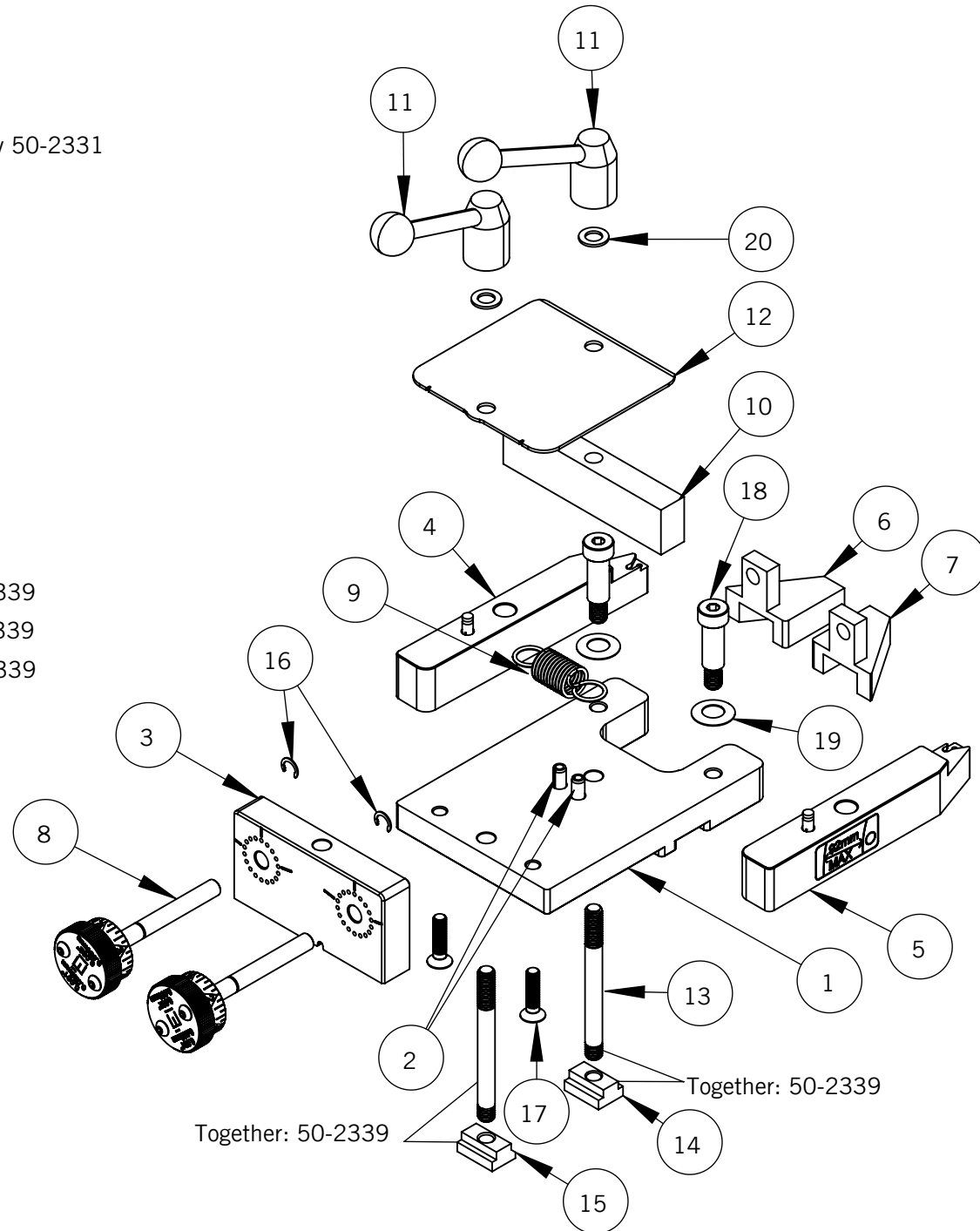
Use 50-2339

Use 50-2339

Use 50-2339

LEGEND:

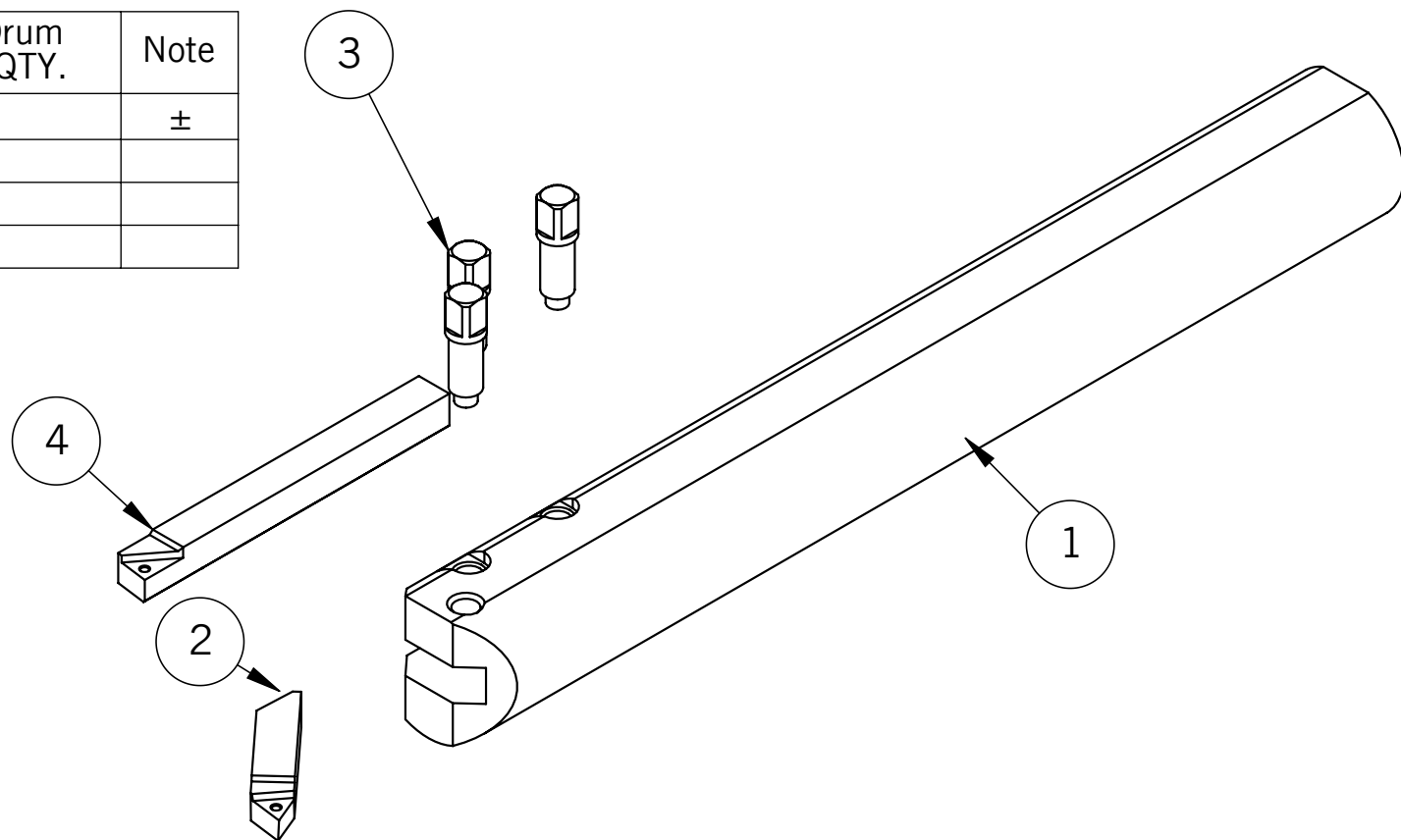
- * Not available for Sale
- † Assembly Dia. Available
- ± Part of Larger Assembly
- ¿ Comes with Hardware
- ‡ Not Shown
- @ Special Order



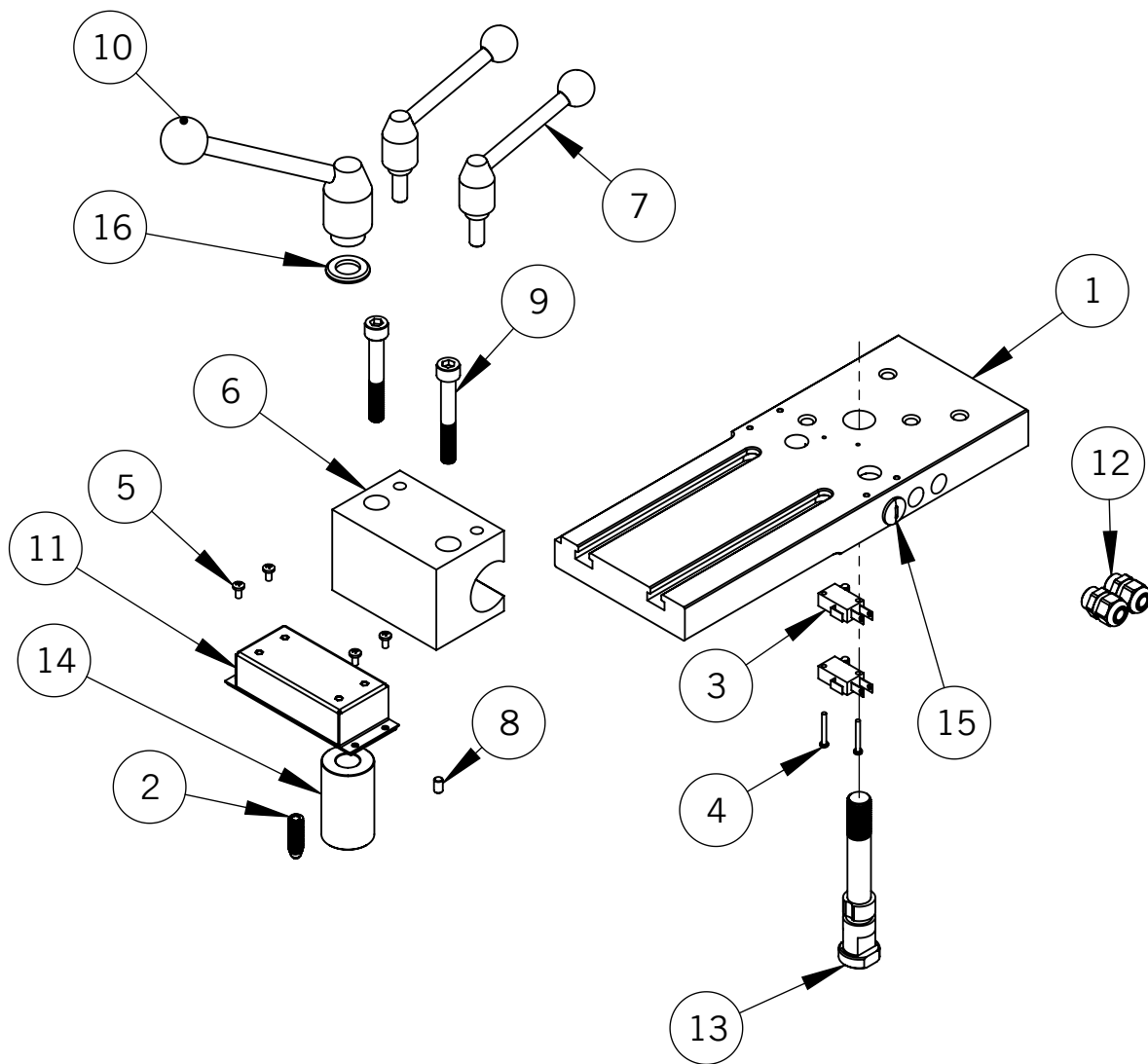
ITEM NO.	PART NUMBER	Small Drum Capable/QTY.	Note
1	50-4005	1	±
2	50-4008	1	
3	35-4020	3	
4	50-4106	1	

LEGEND:

- * Not available for Sale
- † Assembly Dia. Available
- ± Part of Larger Assembly
- ¿ Comes with Hardware
- ‡ Not Shown
- @ Special Order

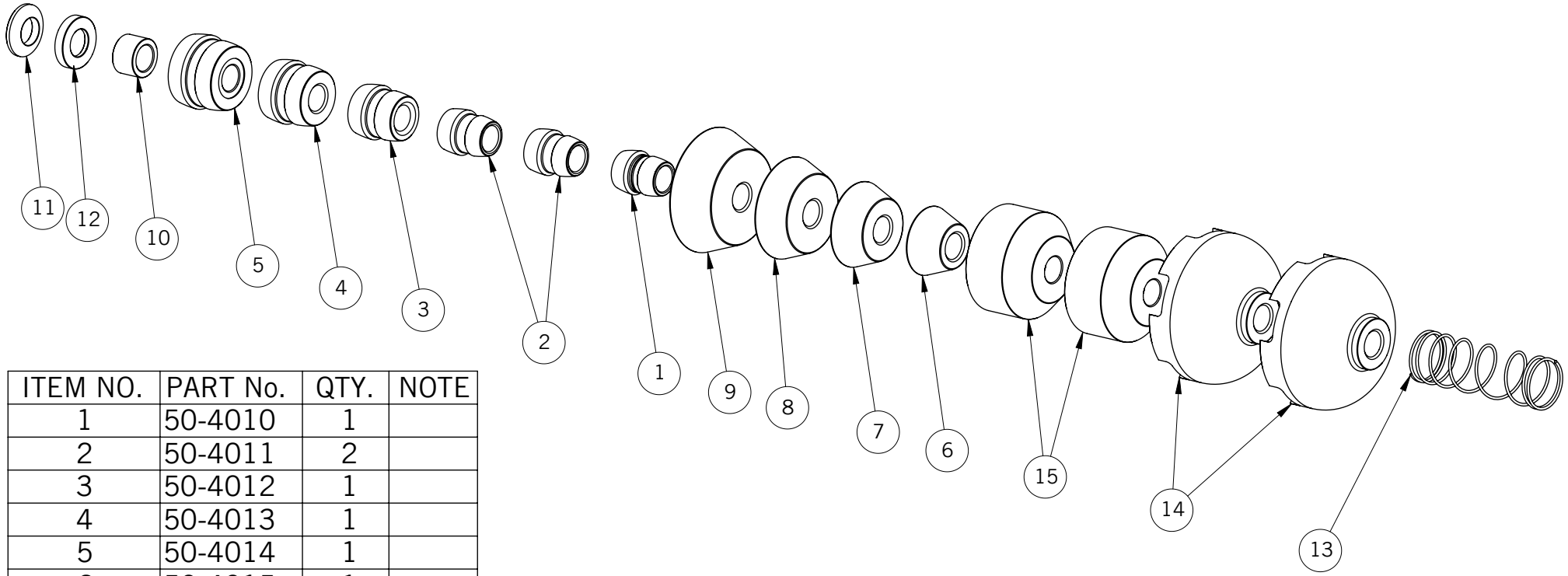


ITEM NO.	PART NUMBER	QTY.	NOTE
1	50-4064	1	*
2	35-4011	2	*
3	37-4026	2	
4	35-4022	2	
5	35-4021	4	
6	50-4006	1	*
7	37-4032	2	
8	37-4001	1	*
9	35-4000	2	
10	37-4033	1	
11	50-4180	1	*
12	37-4051	2	*
13	50-4304	1	*
14	50-4303	1	
15	37-4080	1	
16	37-1830	1	



LEGEND:

- * Not available for Sale
- † Assembly Dia. Available
- ± Part of Larger Assembly
- ¿ Comes with Hardware
- ‡ Not Shown
- @ Special Order



ITEM NO.	PART No.	QTY.	NOTE
1	50-4010	1	
2	50-4011	2	
3	50-4012	1	
4	50-4013	1	
5	50-4014	1	
6	50-4015	1	
7	50-4016	1	
8	50-4017	1	
9	50-4034	1	
10	50-4018	1	
11	50-4019	1	
12	50-4020	1	
13	50-4021	1	
14	50-4022	2	
15	50-4023	2	

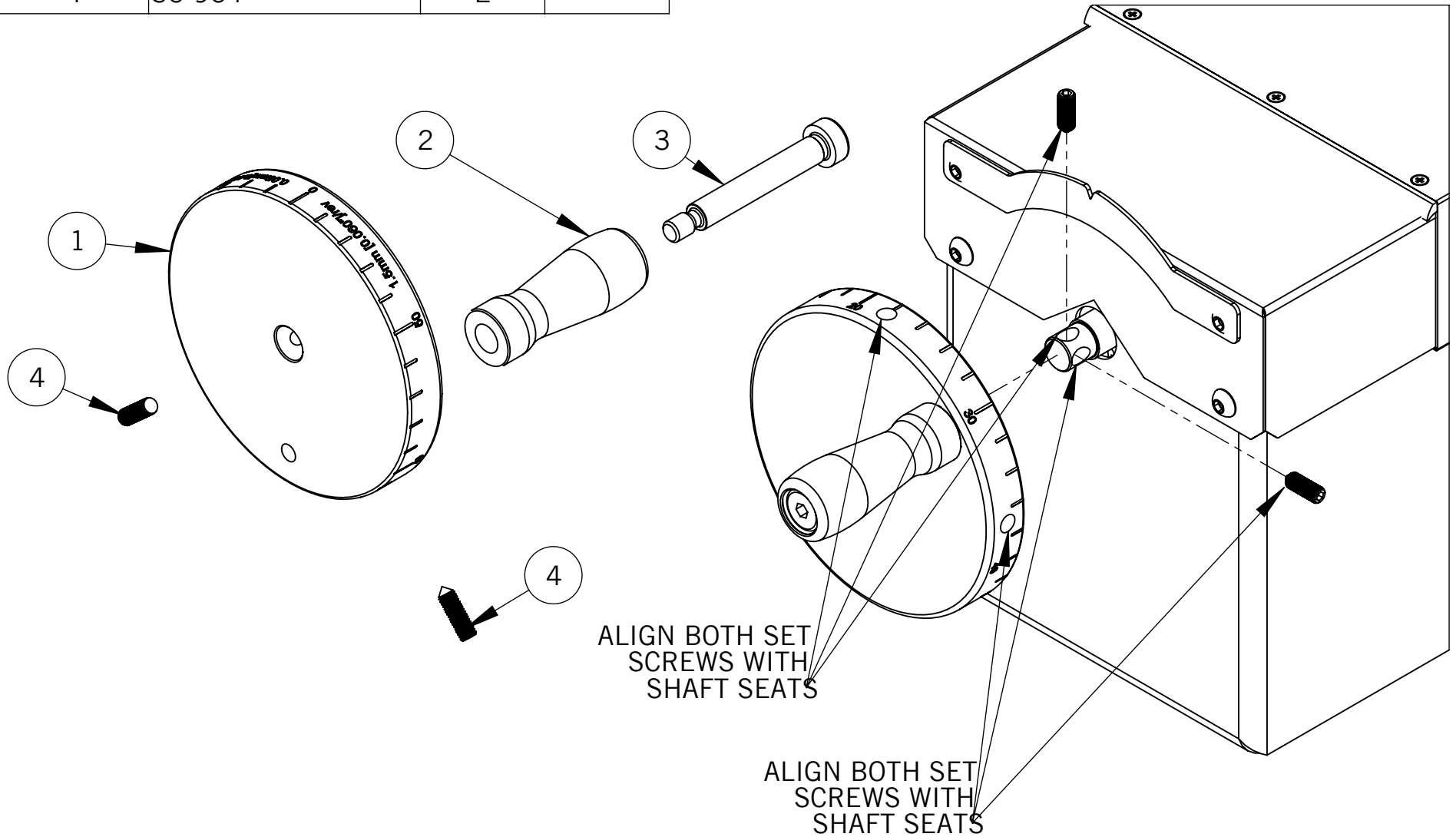
LEGEND:

- * Not available for Sale
- † Assembly Dia. Available
- ± Part of Larger Assembly
- ¿ Comes with Hardware
- ‡ Not Shown
- @ Special Order

ITEM NO.	PART NUMBER	QTY.	Note
1	50-4097	1	* ±
2	50-4098	1	
3	35-4032	1	
4	35-954	2	

LEGEND:

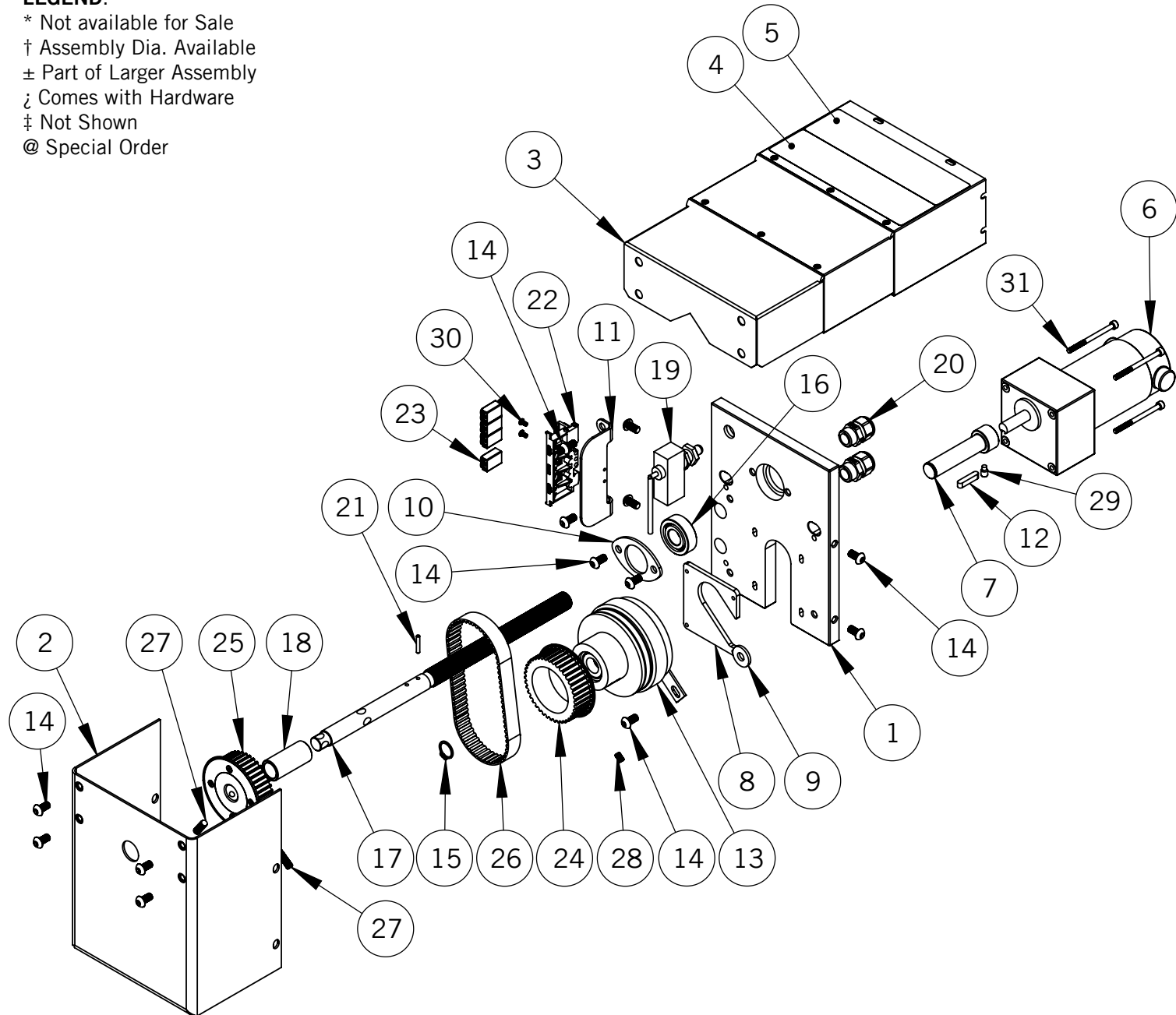
- * Not available for Sale
- † Assembly Dia. Available
- ± Part of Larger Assembly
- ¿ Comes with Hardware
- ‡ Not Shown
- @ Special Order



ITEM NO.	PART No.	QTY.	NOTE
1	50-4350	1	*
2	50-4355	1	*
3	50-4027	1	
4	50-4141	1	
5	50-4807	1	
6	37-4022	1	
7	50-4049	1	*
8	50-4351	1	*
9	50-4354	1	*
10	50-4352	1	*
11	50-4353	1	
12	37-4018	1	
13	37-4016	1	
14	35-335	13	
15	37-4015	1	
16	37-4014	1	*
17	50-4050	1	
18	50-4078	1	*
19	37-4020	1	
20	37-4051	2	*
21	37-4019	1	*
22	37-4060	1	*
23	37-4052	4	@
24	50-4300	1	*
25	50-4301	1	*
26	37-4077	1	
27	35-954	2	
28	35-953	1	
29	35-4048	1	
30	35-341	2	
31	35-342	4	

LEGEND:

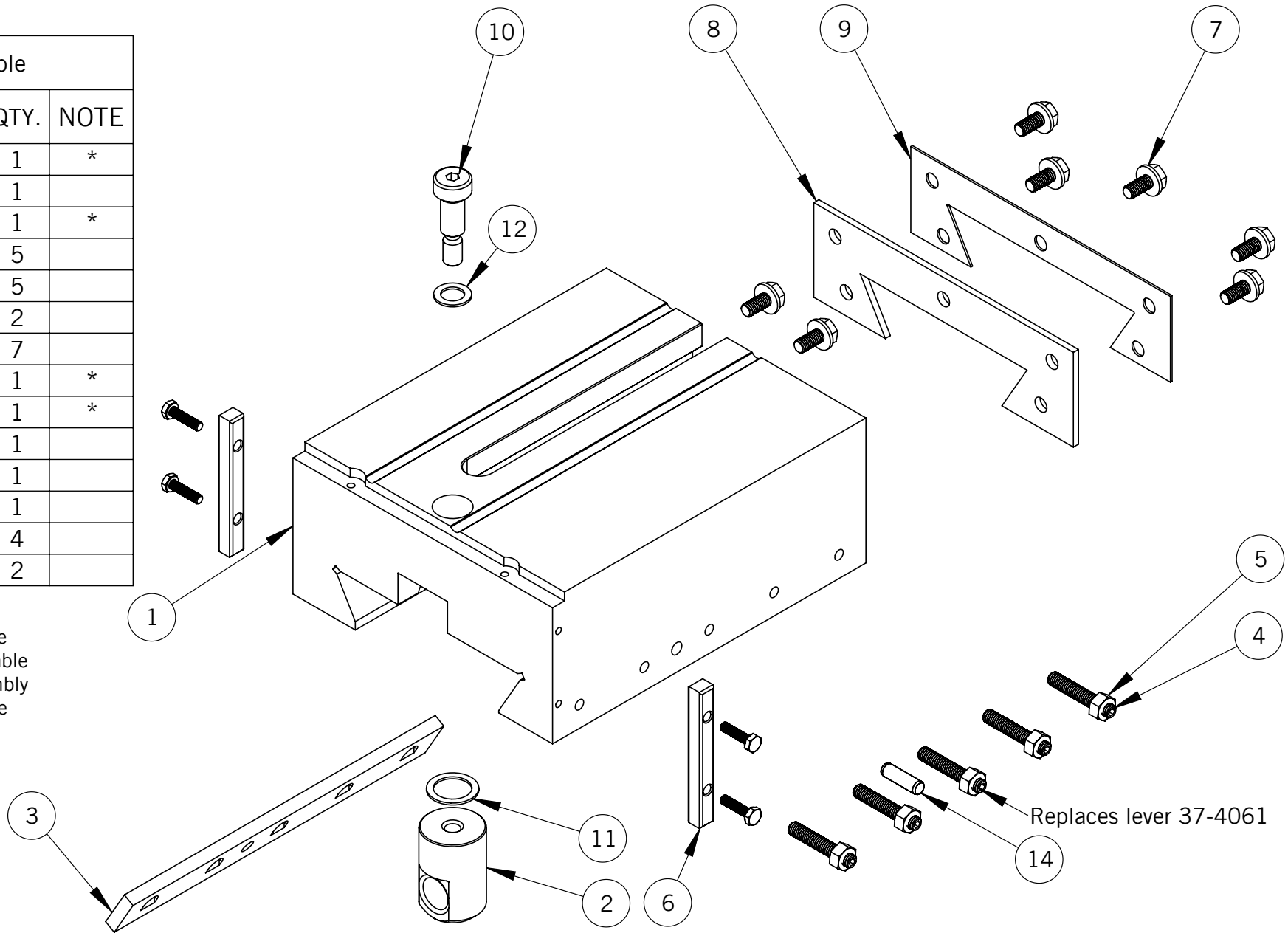
- * Not available for Sale
- † Assembly Dia. Available
- ± Part of Larger Assembly
- ¿ Comes with Hardware
- ‡ Not Shown
- @ Special Order



BOM Table			
ITEM NO.	PART No.	QTY.	NOTE
1	50-4051	1	*
2	50-4052	1	
3	50-4053	1	*
4	35-4005	5	
5	36-4003	5	
6	50-4032	2	
7	35-4001	7	
8	50-4026	1	*
9	50-4043	1	*
10	35-4028	1	
11	37-503	1	
12	37-4274	1	
13	35-4056	4	
14	37-4021	2	

LEGEND:

- * Not available for Sale
- † Assembly Dia. Available
- ± Part of Larger Assembly
- ¿ Comes with Hardware
- ‡ Not Shown
- @ Special Order

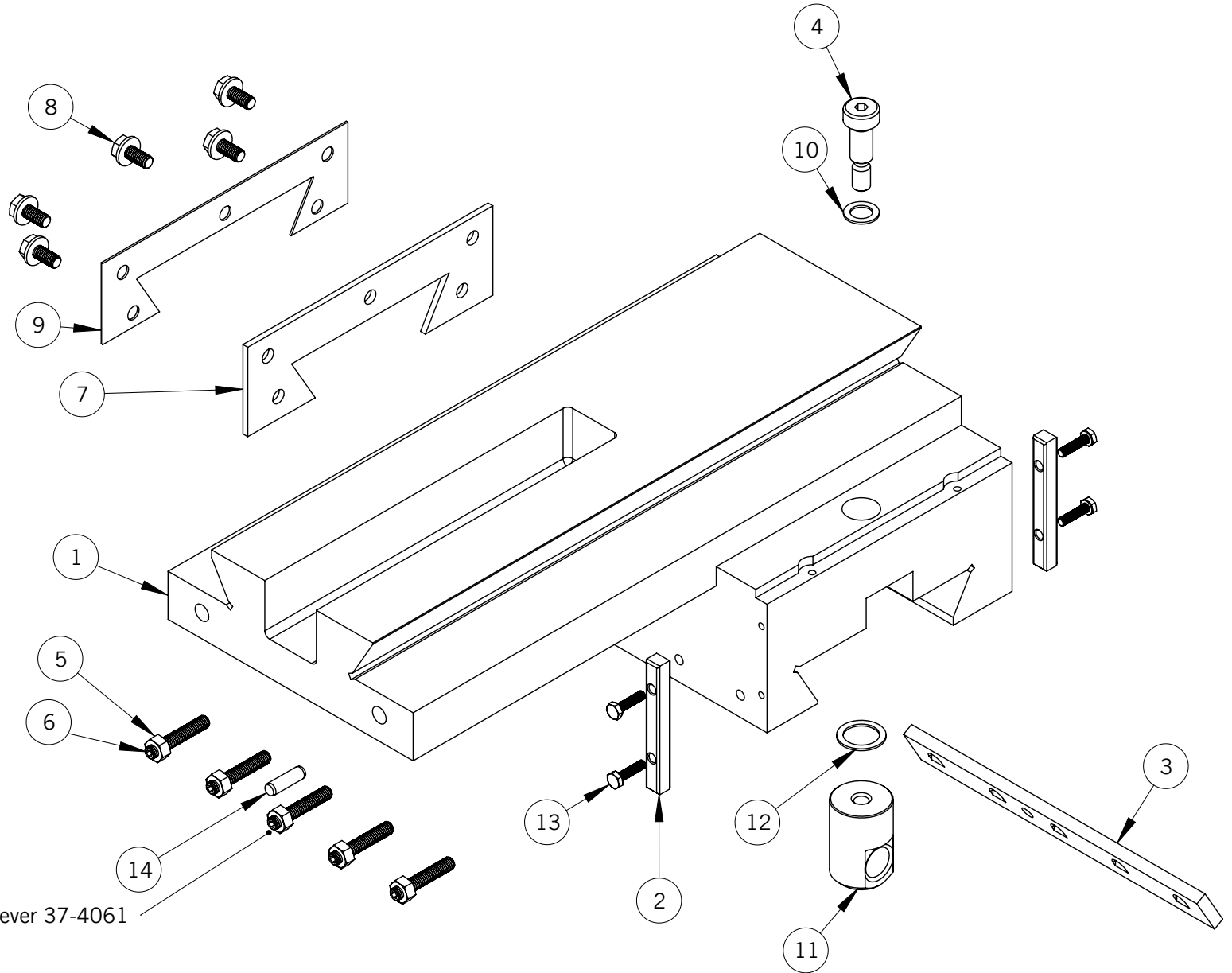


ITEM NO.	PART No.	QTY.	NOTE
1	50-4055	1	*
2	50-4032	2	
3	50-4053	1	*
4	35-4028	1	
5	36-4003	5	
6	35-4005	5	
7	50-4026	1	*
8	35-4001	5	
9	50-4043	1	*
10	37-4274	1	
11	50-4052	1	
12	37-503	1	
13	35-4056	4	
14	37-4021	1	

LEGEND:

- * Not available for Sale
- † Assembly Dia. Available
- ± Part of Larger Assembly
- ‡ Comes with Hardware
- ‡ Not Shown
- @ Special Order

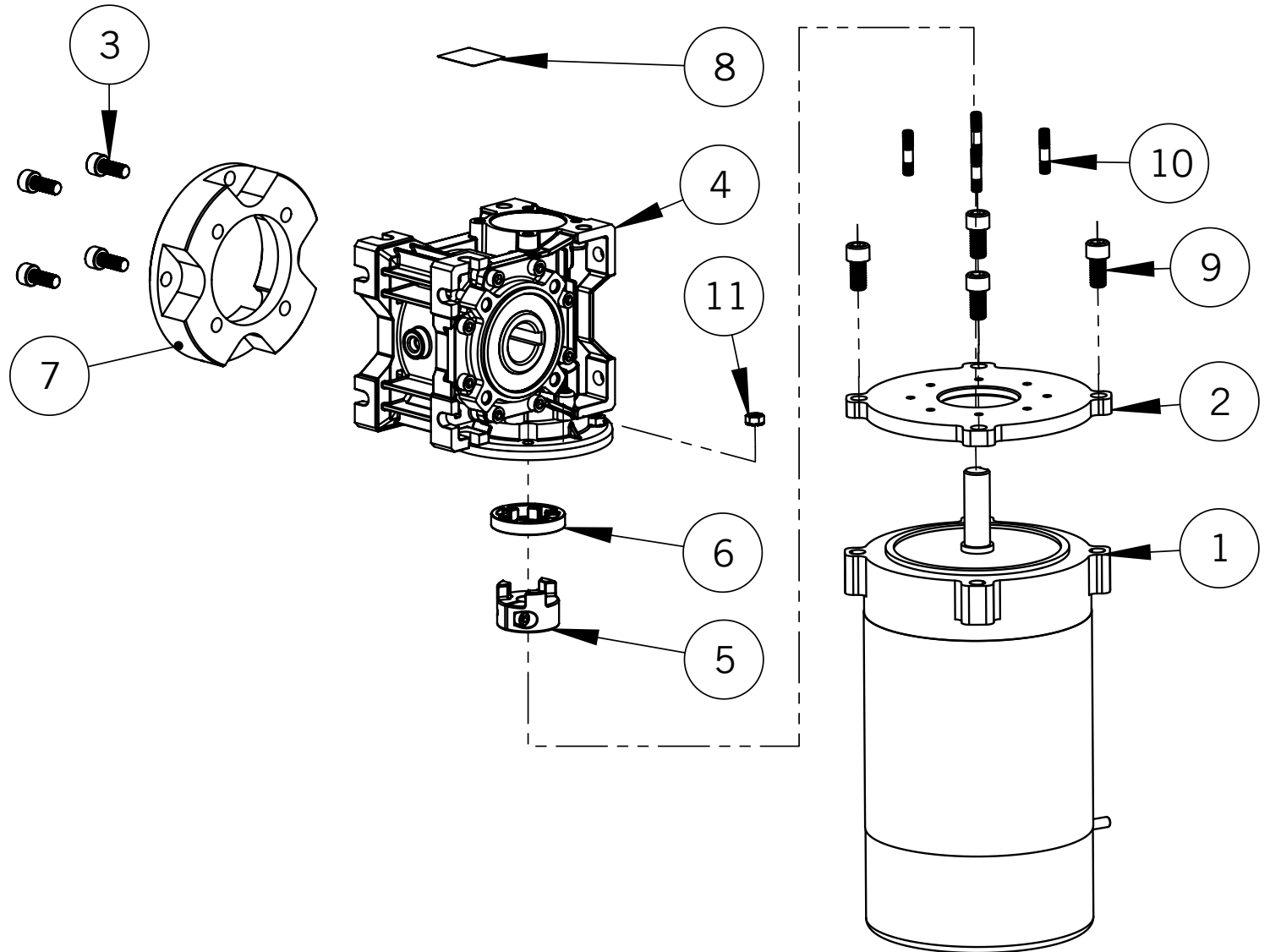
Replaces Lever 37-4061



ITEM NO.	PART NUMBER	QTY.	NOTE
1	37-4024	1	
2	50-4090	1	*
3	35-4006	4	
4	37-4045	1	
5	37-4655	1	
6	37-4645	1	
7	50-4024	1	*
8	50-4139	1	*
9	35-4026	4	
10	35-4057	4	
11	36-4017	4	

LEGEND:

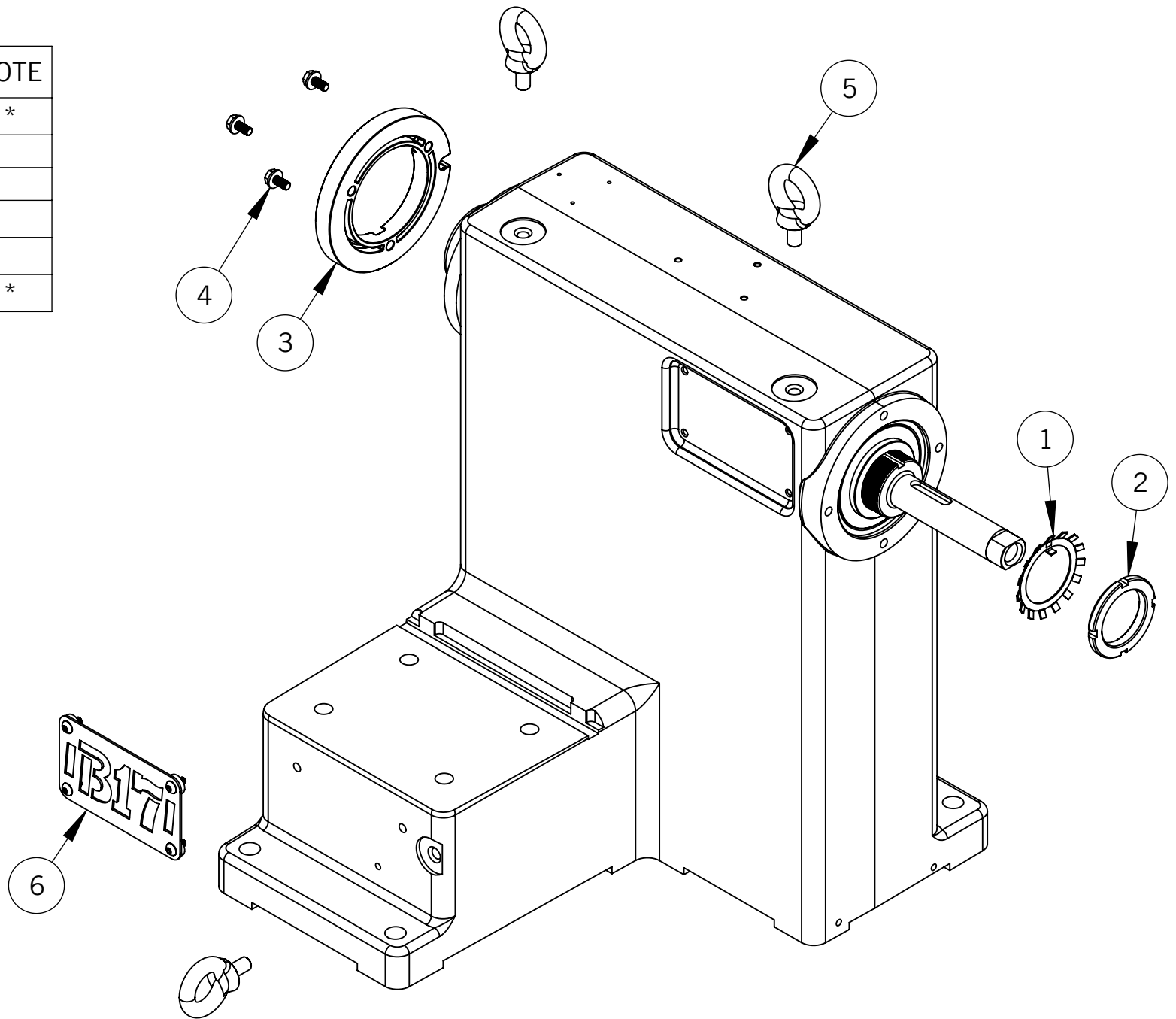
- * Not available for Sale
- † Assembly Dia. Available
- ± Part of Larger Assembly
- ¿ Comes with Hardware
- ‡ Not Shown
- @ Special Order



ITEM NO.	PART NUMBER	QTY.	NOTE
1	37-4005	1	*
2	37-4006	1	
3	50-4070	1	
4	35-4001	3	
5	35-4015	3	
6	50-4137	1	*

LEGEND:

- * Not available for Sale
- † Assembly Dia. Available
- ± Part of Larger Assembly
- ¿ Comes with Hardware
- ‡ Not Shown
- @ Special Order



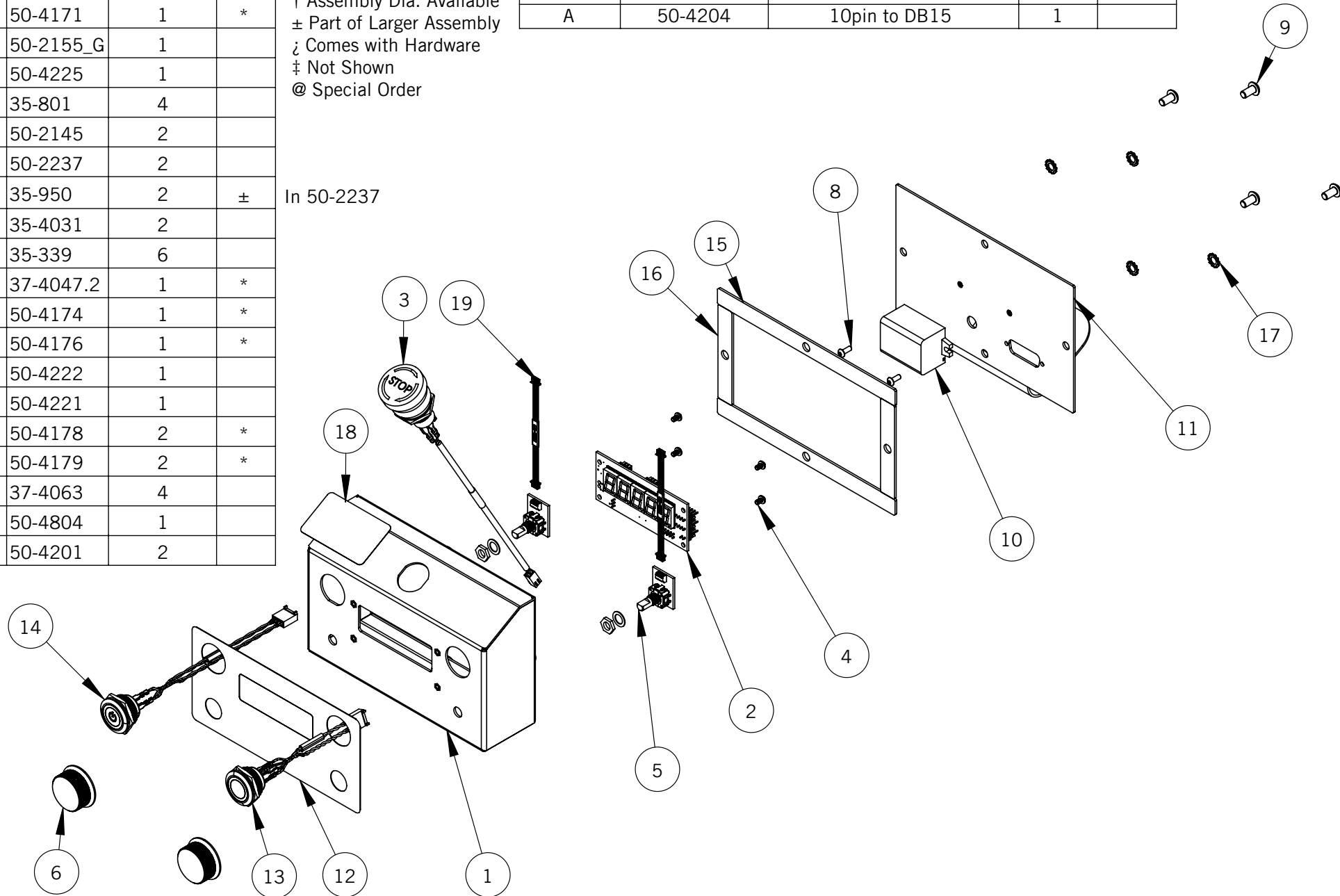
ITEM NO.	PART No.	Default/QTY.	NOTE
1	50-4171	1	*
2	50-2155_G	1	
3	50-4225	1	
4	35-801	4	
5	50-2145	2	
6	50-2237	2	
7	35-950	2	± In 50-2237
8	35-4031	2	
9	35-339	6	
10	37-4047.2	1	*
11	50-4174	1	*
12	50-4176	1	*
13	50-4222	1	
14	50-4221	1	
15	50-4178	2	*
16	50-4179	2	*
17	37-4063	4	
18	50-4804	1	
19	50-4201	2	

LEGEND:

- * Not available for Sale
- † Assembly Dia. Available
- ± Part of Larger Assembly
- ¿ Comes with Hardware
- ‡ Not Shown
- @ Special Order

Cables (Not shown)

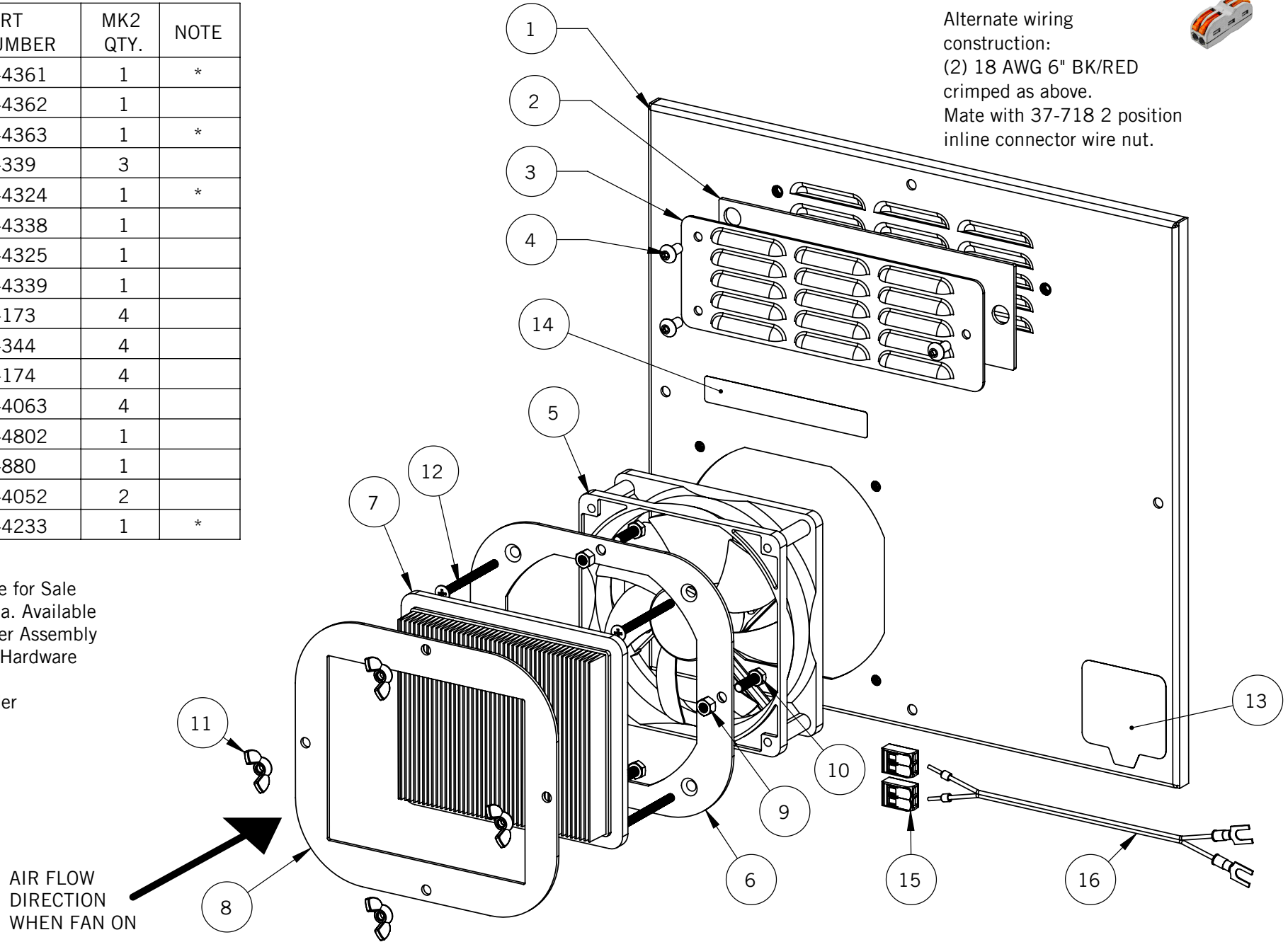
Item No.	Part Number	Description	QTY.	NOTE
A	50-4204	10pin to DB15	1	



ITEM NO.	PART NUMBER	MK2 QTY.	NOTE
1	50-4361	1	*
2	50-4362	1	
3	50-4363	1	*
4	35-339	3	
5	37-4324	1	*
6	50-4338	1	
7	37-4325	1	
8	50-4339	1	
9	36-173	4	
10	35-344	4	
11	36-174	4	
12	35-4063	4	
13	50-4802	1	
14	50-880	1	
15	37-4052	2	
16	50-4233	1	*

LEGEND:

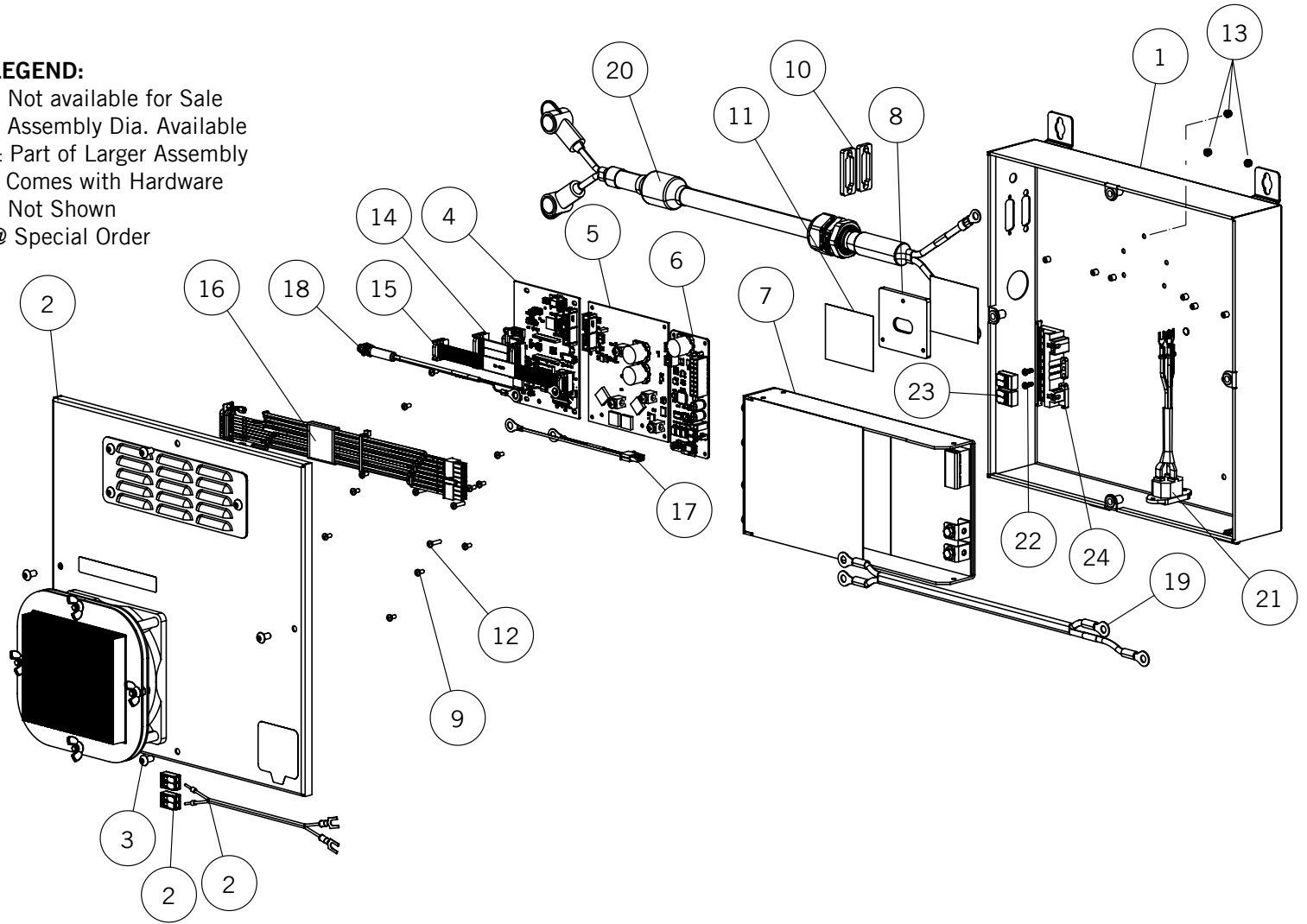
- * Not available for Sale
- † Assembly Dia. Available
- ± Part of Larger Assembly
- ¿ Comes with Hardware
- ‡ Not Shown
- @ Special Order



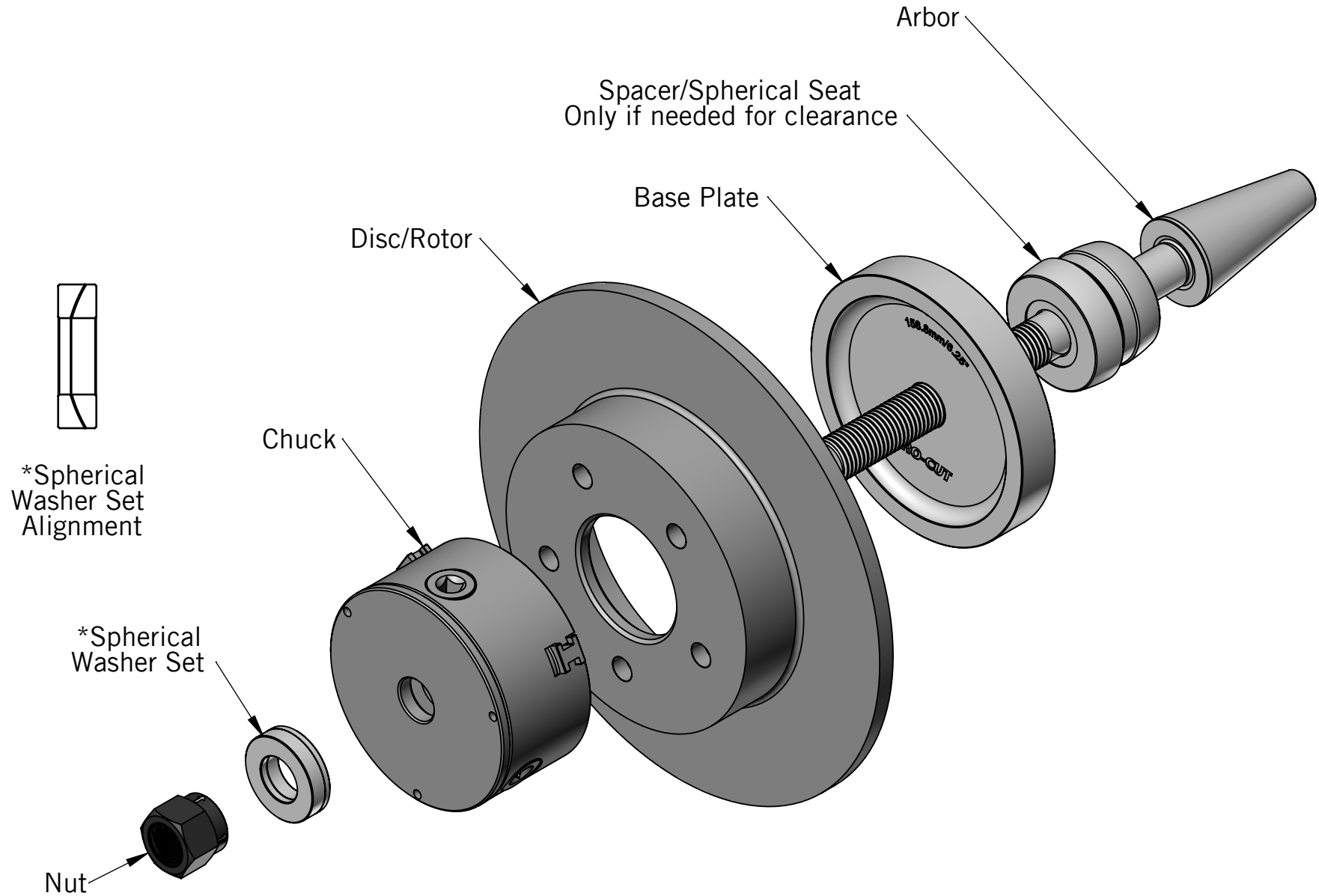
ITEM NO.	PART NUMBER	QTY.	NOTE
1	50-4313	1	*
2	50-4337	1	
3	35-339	4	
4	50-2154	1	
5	50-2157	1	
6	50-2159	1	
7	37-4034	1	
8	50-4325	1	
9	35-4033	12	
10	50-4194	2	*
11	37-2115	2	
12	35-4053	3	
13	36-015	3	
14	50-4205	1	*
15	50-4210	1	*
16	50-4211	1	*
17	50-4229	1	
18	50-4230	1	
19	50-4228	1	
20	50-4207	1	
21	50-4226	1	
22	35-309	2	
23	37-4052	2	
24	37-4060	1	*

LEGEND:

- * Not available for Sale
- † Assembly Dia. Available
- ± Part of Larger Assembly
- ¿ Comes with Hardware
- ‡ Not Shown
- @ Special Order



50-4500 Disc Assembly



50-4500 Drum Assembly

